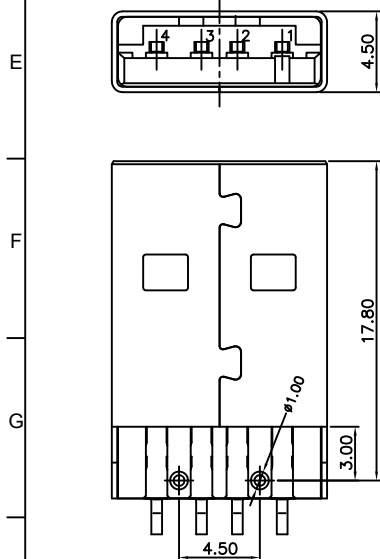
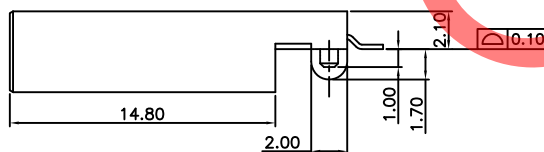


RECOMMENDED P.C.B. LAYOUT
 THICKNESS: 1.2mm GENERAL TOLERANCE: ±0.05
 AS VIEWED FROM COMPONENT SIDE
 Solder Area
 Component Outline



Ordering Grid
USB1060 - XX - N - A
 REQUEST SAMPLES AND QUOTATION
 Packing Options
 A = Tape & Reel (500 per reel)
 Contact Plating
 GF = Gold Flash (Standard)
 15 = 15µ" Gold
 Insulator Material
 N = Nylon 9T

Specifications 规格:

Materials & Plating 物料与电镀:

Plastic Housing 塑胶外壳: Thermoplastic, Nylon 9T, Glass Fiber Filled UL94V-0, Black
 热塑性塑料, 尼龙9T; 玻纤填充, UL94V-0; 黑色

Contact Terminal 接触端子: Brass 黄铜

Metallic Shell 金属外壳: Brass 黄铜

Finish 表面处理:

Underplating 底层电镀: 50µ" Nickel 50µ" 镍

Plating 电镀:

Contact Area: Gold Flash or 15µ" Gold 闪金或15µ"金

Solder Tails 焊接末端: 50µ" Tin 50µ" 锡

Metallic Shell 金属外壳: Nickel 镍

Electrical 电气规格:

Voltage Rating 电压额定值: 30V

Current Rating 电流额定值: 1.5A

Operating Temperature 工作温度: -40°C to +85°C

Contact Resistance 接触电阻值: 30mΩ Max.

Insulating Resistance 绝缘电阻值: 1000MΩ Min.

Dielectric Withstand Voltage 耐电压: 500V AC

Mechanical 机械性规格:

Mating Force 插入力: 35N (3.57Kgf) Max.

Unmating Force 拔出力: 10N (1.02Kgf) Min.

Durability 耐久性: 1,500 Cycles 1500次插拔

By	SA	AJO
DETAIL	DRAWING RELEASE	USB1060 X EOLN
REV	A	X
DATE	14/02/11	15/09/16



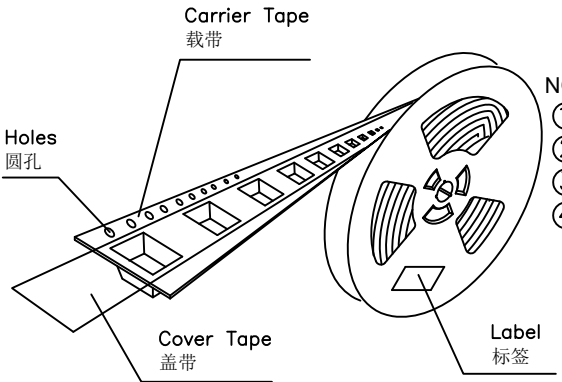
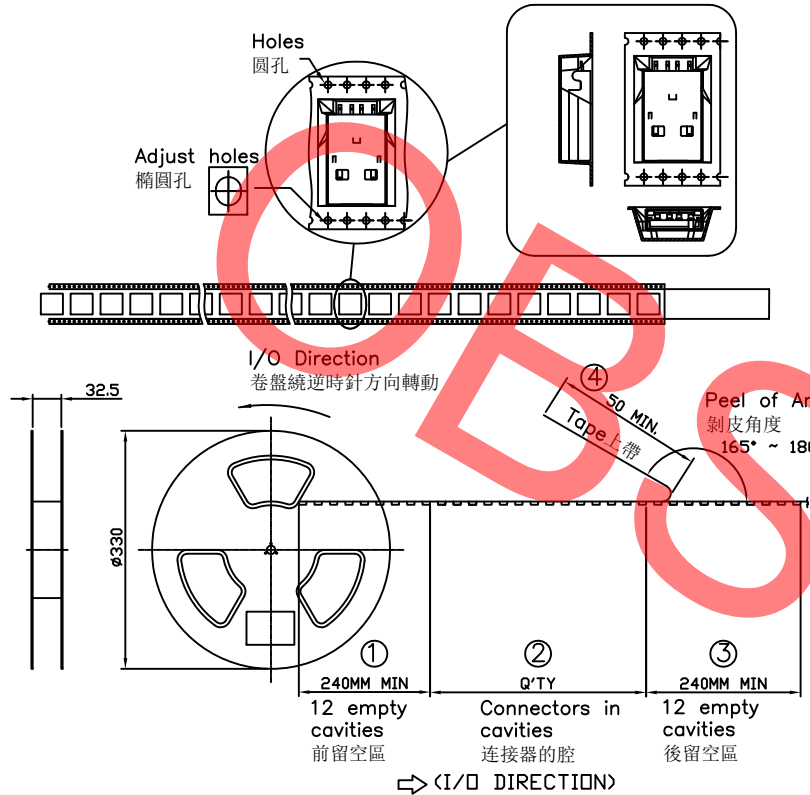
Tolerances (Except as noted)	Part Number:-	Date:-
Dimensions in mm	USB1060	14 FEB 11
X.X ± 0.35 X° ± 1°	Description:-	
X.XX ± 0.25 X.X° ± 0.5°	USB PLUG, TYPE A, 4 PIN, MID SURFACE MOUNT, HORIZONTAL, TOP MOUNT, PLASTIC PEG & SHELL STAKES	
Third Angle Projection	© THIS DRAWING IS CONFIDENTIAL AND MUST NOT BE COPIED OR DISCLOSED WITHOUT WRITTEN CONSENT	

GCT
www.gct.co

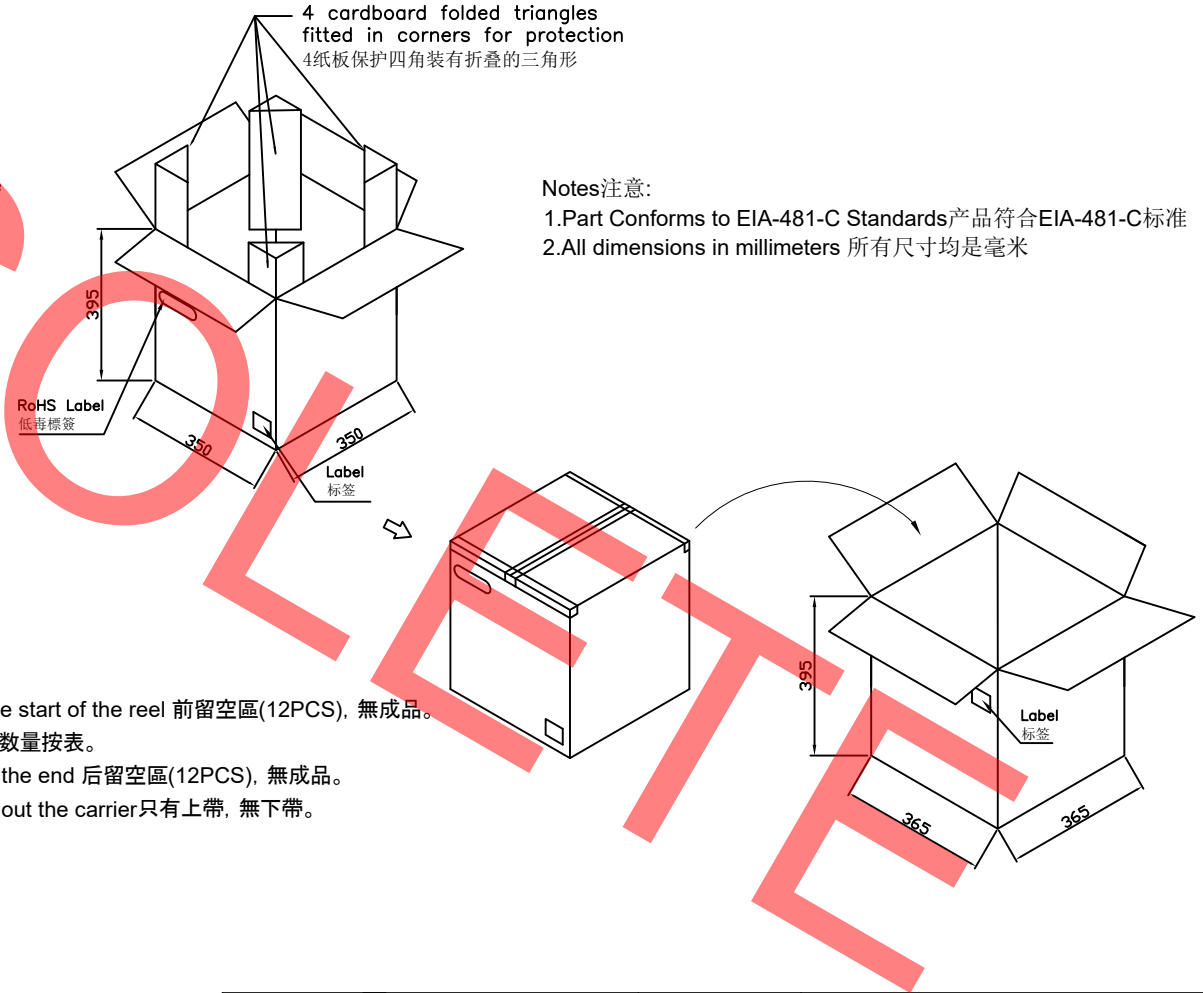
Scale	Revision	Material	Drawn by	Sheet No.
NTS	X	See Note	SA	E & OE 1/2

Global Connector Technology Ltd. - USB1060: USB Plug, Type A, 4 Pin Mid Surface Mount, Horizontal, Top Mount, Plastic Peg & Shell Stakes

Products P/N	PCS/Reel	Reels/Carton	PCS/Carton
USB1060-XX-N-A	500	10	5000



- NOTE:
- ① There are 12 cavities at the start of the reel 前留空區(12PCS), 無成品。
 - ② Quantity as per the Table 數量按表。
 - ③ There are 12 Cav. bare in the end 後留空區(12PCS), 無成品。
 - ④ There are 50mm tape without the carrier 只有上帶, 無下帶。



Notes注意:

- 1.Part Conforms to EIA-481-C Standards 产品符合EIA-481-C标准
- 2.All dimensions in millimeters 所有尺寸均是毫米

By	SA	AJO
DETAIL	DRAWING RELEASE	USB1060 X EOLN
REV DATE	A 14/02/11	X 15/09/16



Tolerances (Except as noted)	Part Number:-	Date:-
Dimensions in mm	USB1060	14 FEB 11
	Description:-	
	USB PLUG, TYPE A, 4 PIN, MID SURFACE MOUNT, HORIZONTAL, TOP MOUNT, PLASTIC PEG & SHELL STAKES	
Third Angle Projection	THIS DRAWING IS CONFIDENTIAL AND MUST NOT BE COPIED OR DISCLOSED WITHOUT WRITTEN CONSENT	

Scale	Revision	Material	Drawn by	Sheet No.
NTS	X	See Note	SA	2/2

GCT
www.gct.co