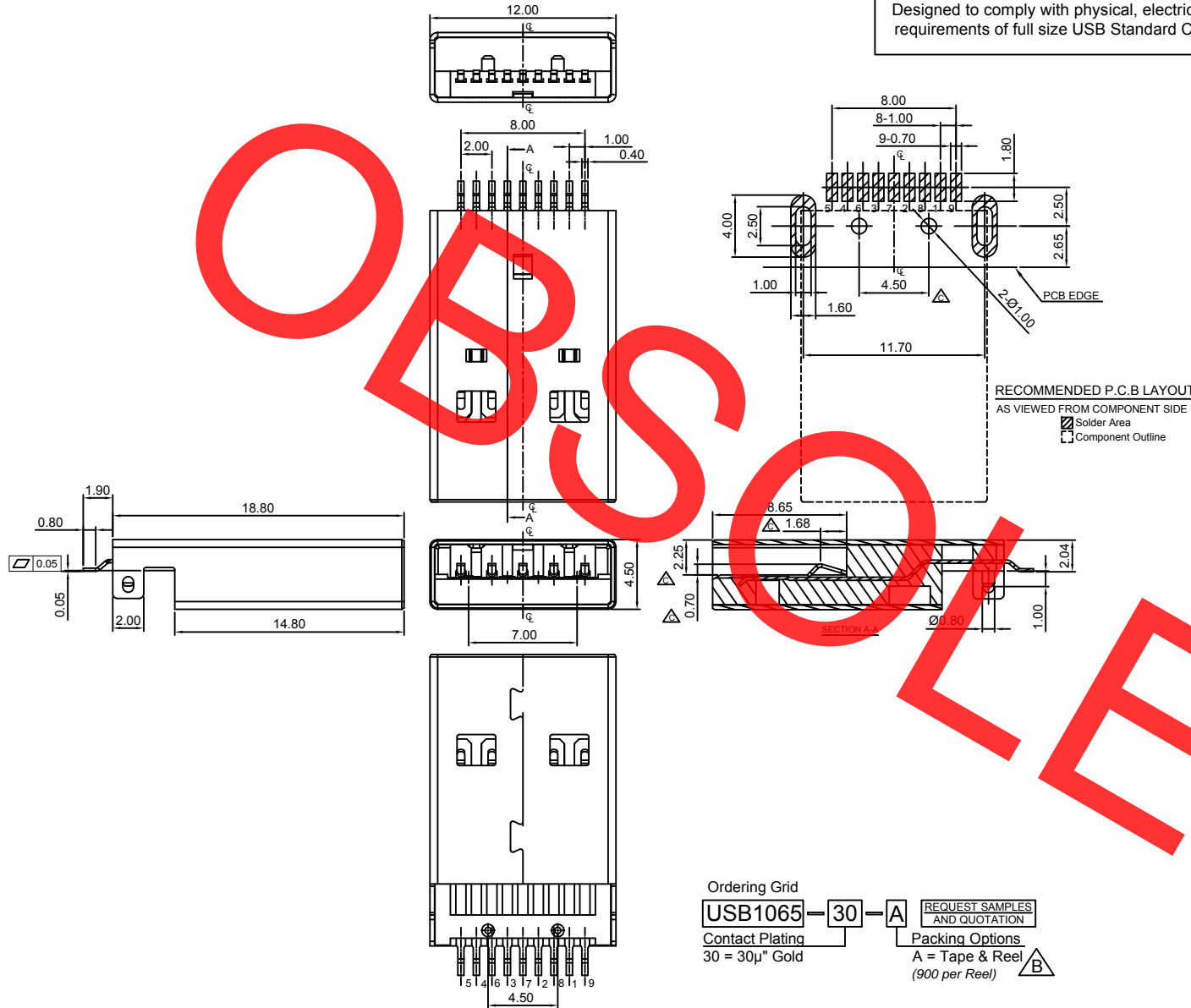
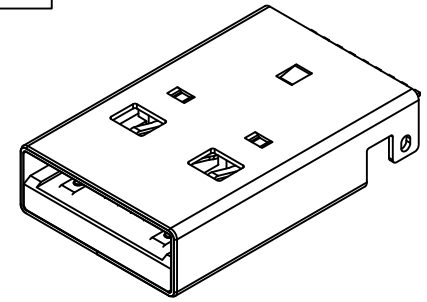


Global Connector Technology Ltd. - USB1065: USB 3.0 Plug, Type A, SMT, Horizontal, 9 Pin, Top Mount, W/Plastic Locating Pegs & Outer Shell Stakes

Designed to comply with physical, electrical and environmental requirements of full size USB Standard Compliance (USB3.0).



Specifications 规格:

Materials 材料:

Plastic Housing 塑胶外壳: LCP, UL94V-0, Blue 黑色
 Contact Terminal 接触端子: Copper Alloy 铜合金
 Metallic Shell 金属外壳: SPCC

Finish 表面处理:

Underplating 底层电镀: Nickel

Plating 电镀:

Contact Area 接触面积: 30μ" Gold
 Solder Tails 焊接末端: 100μ" min. Tin
 Metallic Shell 金属外壳: Nickel

Electrical 电气规格:

Voltage Rating 电压额定值: 100 V AC $\triangle D$
 Current Rating 电流额定值: 0.25A (Signal Pins 信号引脚 2,3,5,6,7,8,9) $\triangle D \triangle E$
 1.8A (Power Pins 电源引脚 1,4)
 Operating Temperature 工作温度: -55°C to +85°C $\triangle D$
 Contact Resistance 接触电阻值: 30 mΩ max.
 Insulating Resistance 绝缘电阻值: 1000 MΩ min. $\triangle D$
 Dielectric Withstand Voltage 耐电压: 100V AC/minute $\triangle D$

Mechanical 机械性规格:

Mating Force 插入力: 35N max.
 Unmating Force 拔出力: 10N min. initial, 8N min. after test $\triangle E$
 Durability 耐久性: 5000

Ordering Grid

USB1065-30-A $\triangle B$ REQUEST SAMPLES AND QUOTATION

Contact Plating
 30 = 30μ" Gold

Packing Options

A = Tape & Reel
 (900 per Reel)

Looking for pure SMT-without plastic peg?
 Contact GCT and ask for SP-120803-001

By	ASE	ASE	ASE	ASE	AJO	CC
DETAIL	Drawing Release	Packing Amended	Additional Dimensions	PCN: USB1065-001	PCN: USB1065-002	USB1065 X PCN
REV DATE	A 09/05/11	B 20/02/12	C 16/07/12	D 02/05/13	E 09/12/13	X 08/11/17

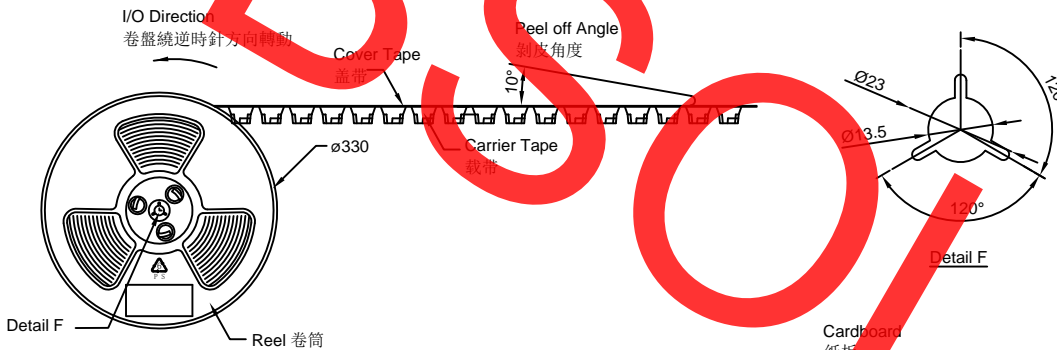
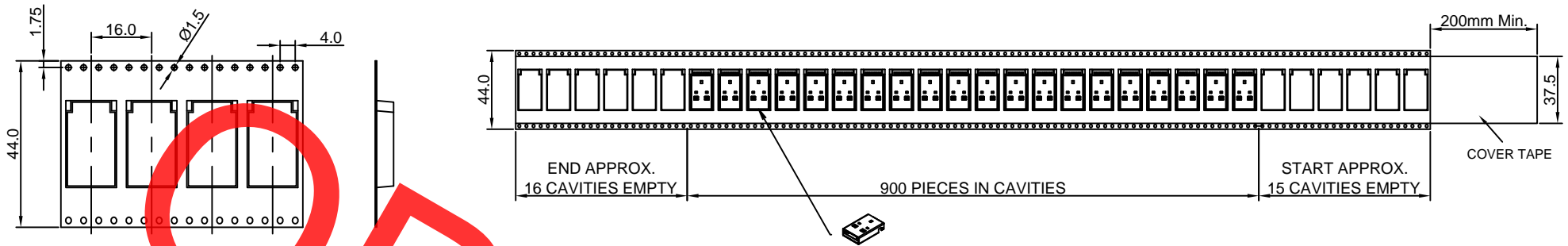


Tolerances (Except as noted)	Part Number:-	Date:-
Dimensions in mm	USB1065	09 MAY 11
XX ± 0.4 X.XX ± 0.25 X.XXX ± 0.05	Description:-	
X.X° ± 2° X.XX° ± 1° X.XXX° ± 0.5°	USB 3.0 Plug, Type A, SMT, Horizontal, 9 Pin, Top Mount, with Plastic Locating Pegs & Outer Shell Stakes	
Third Angle Projection	THIS DRAWING IS CONFIDENTIAL AND MUST NOT BE COPIED OR DISCLOSED WITHOUT WRITTEN CONSENT	

GCT
 www.gct.co

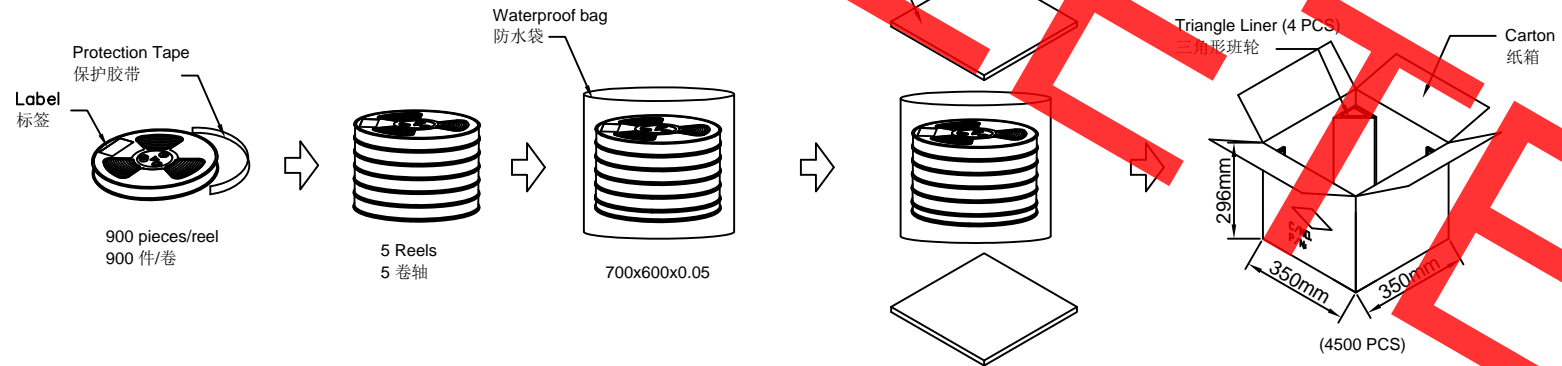
Scale	Revision	Material	Drawn by	Sheet No.
NTS	X	See Note	ASE	E & OE 1/2

Global Connector Technology Ltd. - USB1065: USB 3.0 Plug, Type A, SMT, Horizontal, 9 Pin, Top Mount, W/Plastic Locating Pegs & Outer Shell Stakes



Products P/N	PCS/Reel	Reels/Carton	PCS/Carton
USB1065-30-A	900	5	4500

- Notes 注意:
1. Peeling off force of top tape: 0.1-1.3N
 2. Part Conforms to EIA-481-C Standards 产品符合EIA-481-C标准
 3. All dimensions in millimeters 所有尺寸均是毫米



By	ASE	ASE	ASE	ASE	AJO	CC
DETAIL	Drawing Release	Packing Amended	Additional Dimensions	PCN: USB1065-001	PCN: USB1065-002	USB1065 X PCN
REV DATE	A 09/05/11	B 20/02/12	C 16/07/12	D 02/05/13	E 09/12/13	X 08/11/17



Tolerances (Except as noted)	Part Number:-	Date:-
Dimensions in mm	USB1065	09 MAY 11
X.X ± 0.4	Description:-	
X.XX ± 0.25	USB 3.0 Plug, Type A, SMT, Horizontal, 9 Pin, Top Mount, with Plastic Locating Pegs & Outer Shell Stakes	
X.XXX ± 0.05	© THIS DRAWING IS CONFIDENTIAL AND MUST NOT BE COPIED OR DISCLOSED WITHOUT WRITTEN CONSENT	



Scale	Revision	Material	Drawn by	Sheet No.
NTS	X	See Note	ASE	E & OE 2/2