

Specifications 规格

Material 物料

Plastic Housing 塑胶外壳: LCP, UL94V-0, Black  
 Contact Terminal 接触端子: Copper Alloy  
 Metallic Shell 金属外壳: Stainless Steel

Plating 电镀

Underplating 底层电镀: Nickel  
 Contact Area 接触面积: 30μ" Gold  
 Solder Tails 焊接末端: Gold Flash  
 Metallic Shell 金属外壳: Tin

Electrical 电气

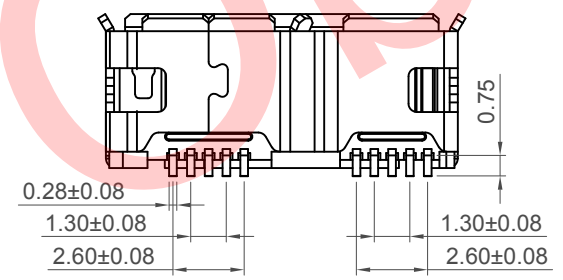
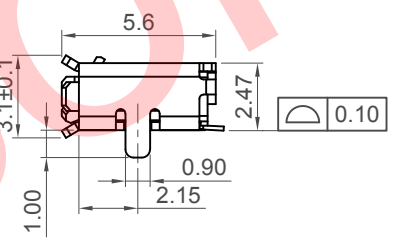
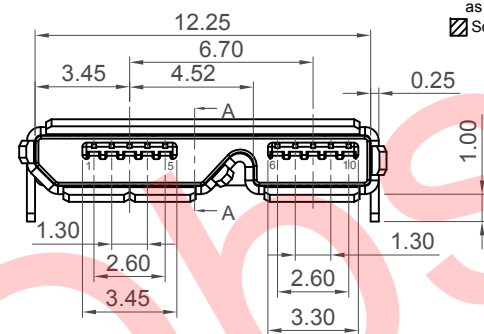
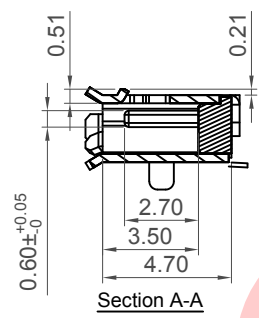
Voltage Rating 电压额定值: 30 V AC/DC  
 Current Rating 电流额定值:  
 Signal Pins 信号引脚 2,3,4,6,7,8,9,10 在 0.25A AC/DC  
 & Power Pins 电源接脚 1,5 在 1.8A AC/DC  
 Contact Resistance 接触电阻值: 30mΩ Max  
 Insulating Resistance 绝缘电阻值: 1000MΩ Min.  
 Dielectric Withstand Voltage 耐电压: 100V AC/Minute

Mechanical & Environmental 机械 & 环境

Operating Temperature 工作温度: -30°C to +85°C  
 Mating Force 插入力: 35N Max.  
 Unmating Force 拨出力: 10N Min.  
 Durability 耐久性: 10,000 cycles

Recommended P.C.B Layout  
 as Viewed From Component Side  
 Solder Area Component Outline

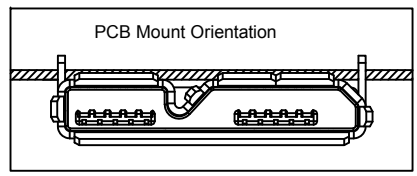
H  
G  
F  
E  
D  
C  
B  
A



Pin No.	Signal Name	Description
1	VBUS	Power
2	D-	USB 2.0 Differential pair
3	D+	
4	ID	OTG identification
5	GND	Ground for power return
6	MicB_SSTX-	SuperSpeed transmitter differential pair
7	MicB_SSTX+	
8	GND_DRAIN	Ground for SuperSpeed signal return
9	MicB_SSRX-	SuperSpeed receiver differential pair
10	MicB_SSRX+	
Shell	Shield	Connector metal shell

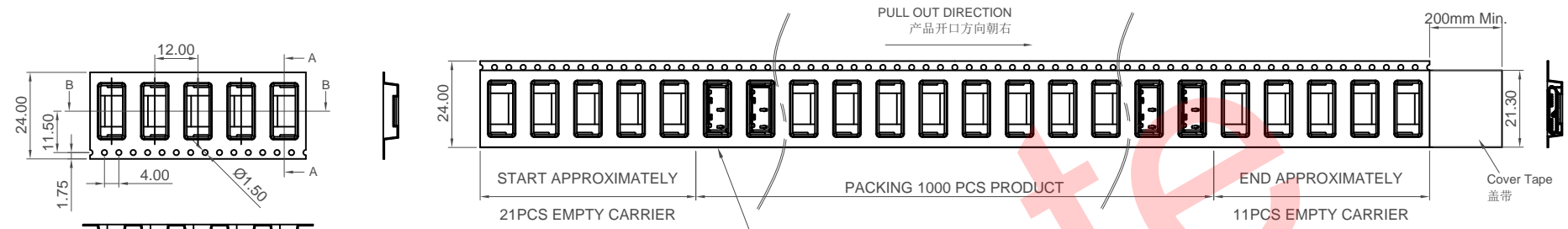
Designed to comply with physical, electrical and environmental requirements of micro USB Standard Compliance (USB3.0).

Ordering Grid  
**USB3110** - **30** - **A** Request Samples and Quotation  
 Contact Plating 30 = 30μ" Gold  
 Packing Options A = Tape & Reel (1K per Reel)



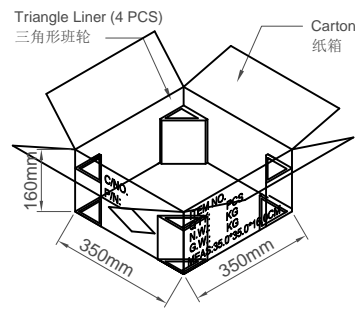
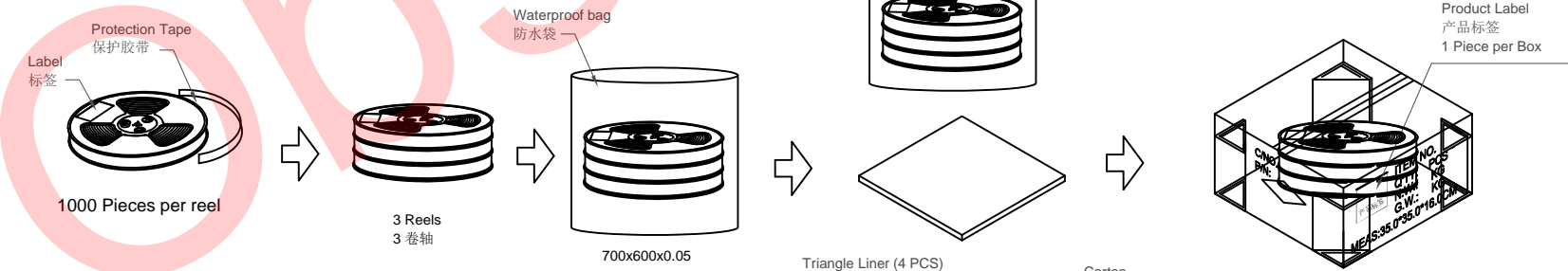
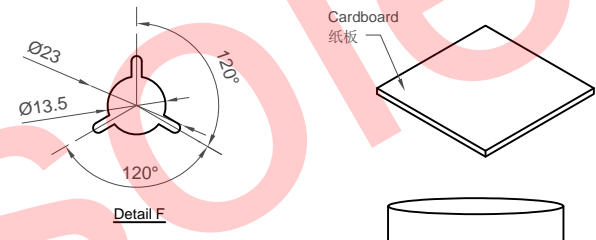
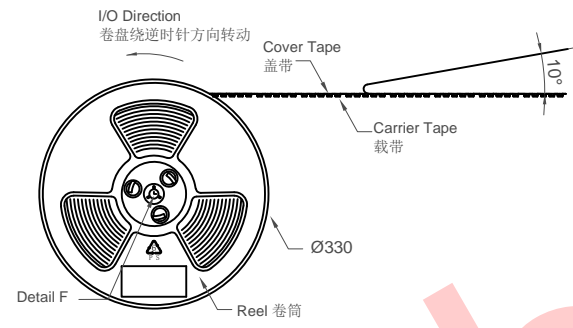
Part Number USB3110		Product Description USB 3.0 Micro Receptacle, Type B, SMT, Horizontal, 10 Pin, Bottom Mount, with Outer Shell Stakes		<b>GCT</b> www.gct.co			
Drawing Date 16th May 2011							
By Detail	CC USB3110 X PCN	Tolerances (Except as Noted) Length X.X ± 0.3 X.XX ± 0.2 X.XXX ± 0.1	Angle X.X° ± 2° X.XX° ± 1° X.XXX° ± 0.5°	Units: Metric (mm)			
Revision Date	X 20/04/20	3rd Angle Projection		 			
This drawing is confidential and copyright of Global Connector Technology, Ltd (GCT). This drawing must not be copied or disclosed without written consent. E & OE				<table border="1"> <tr> <td>Not to Scale</td> <td>Drawn By ASE</td> <td>Sheet No. 1/2</td> </tr> </table>	Not to Scale	Drawn By ASE	Sheet No. 1/2
Not to Scale	Drawn By ASE	Sheet No. 1/2					

H  
G  
F  
E  
D  
C  
B  
A



Products P/N	PCS/Reel	Reels/Carton	PCS/Carton
USB3110	1000	3	3000

Notes:注意:  
 1. Peeling off force of top tape: 0.1-1.3N  
 2. All dimensions in millimeters 所有尺寸均是毫米



Part Number USB3110		Product Description USB 3.0 Micro Receptacle, Type B, SMT, Horizontal, 10 Pin, Bottom Mount, with Outer Shell Stakes			This drawing is confidential and copyright of Global Connector Technology, Ltd (GCT). This drawing must not be copied or disclosed without written consent. E & OE
Drawing Date 16th May 2011					
By	CC	Tolerances (Except as Noted)	Units:		www.gct.co
Detail	USB3110 X PCN	Length X.X ± 0.3	Metric (mm)		
Revision	X	Angle X.XX ± 0.2	X.X° ± 2° X.XX° ± 1°		
Date	20/04/20	X.XXX ± 0.1	X.XXX° ± 0.5°		