

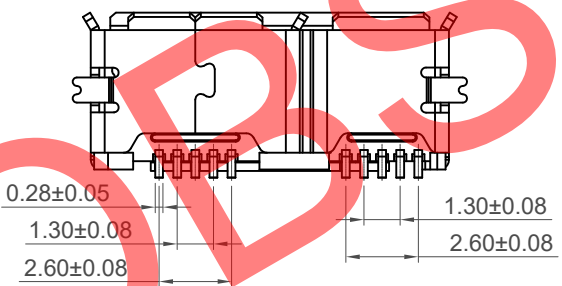
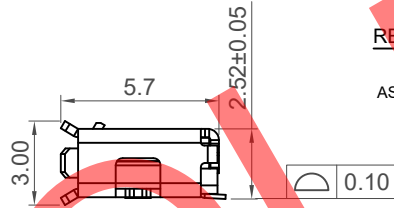
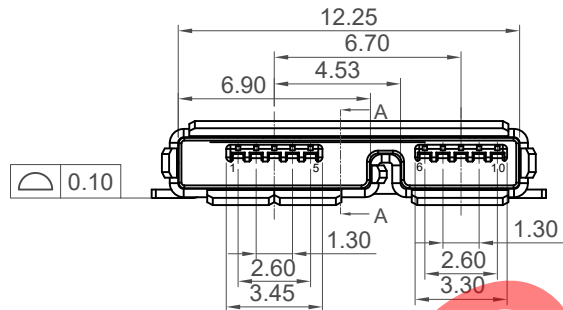
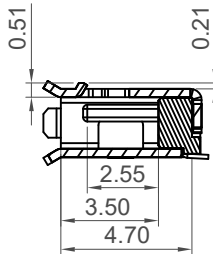
**RECOMMENDED P.C.B LAYOUT**  
 GENERAL TOLERANCE: ±0.05  
 AS VIEWED FROM COMPONENT SIDE  
 Solder Area  
 Component Outline

Specifications 规格:

Materials 材料:  
 Plastic Housing 塑胶外壳: LCP, UL94V-0, Black, LCP, UL94V-0 黑色  
 Contact Terminal 接触端子: Copper Alloy 铜合金  
 Metallic Shell 金属外壳: Stainless Steel 不锈钢  
 Finish 表面处理:  
 Underplating 底层电镀: Nickel  
 Plating 电镀:  
 Contact Area 接触面积: 30µ" Gold  
 Solder Tails 焊接末端: Gold Flash  
 Metallic Shell 金属外壳: Tin

Electrical 电气规格:  
 Voltage Rating 电压额定值: 30 V AC/DC  
 Current Rating 电流额定值:  
 Signal Pins 信号引脚 2,3,4,6,7,8,9,10 at 在 0.25A AC/DC & Power Pins 电源引脚 1,5 at 在 1.8A AC/DC  
 Operating Temperature 工作温度: -30°C to +85°C  
 Contact Resistance 接触电阻值: 30mΩ Max.  
 Insulating Resistance 绝缘电阻值: 1000MΩ Min.  
 Dielectric Withstand Voltage 耐电压: 100V AC/Minute  
 Mechanical 机械性规格:  
 Mating Force 插入力: 35N Max.  
 Unmating Force 拔出力: 10N Min.  
 Durability 耐久性: 10000 cycles

PIN NUMBER	SIGNAL NAME	DESCRIPTION	MATING SEQUENCE
1	VBUS	Power	Second
2	D-	USB 2.0 Differential pair	Last
3	D+		
4	ID	OTG identification	
5	GND	Ground for power return	Second
6	MicA_SSRX-	SuperSpeed receiver differential pair	Last
7	MicA_SSRX+		
8	GND_DRAIN	Ground for SuperSpeed signal return	Second
9	MicA_SSTX-	SuperSpeed transmitter differential pair	Last
10	MicA_SSTX+		
Shell	Shield	Connector metal shell	First



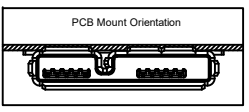
Ordering Grid

USB3125-30-A

Contact Plating  
 30 = 30µ" Gold

Packing Options  
 A = Tape & Reel  
 (1000 per Reel)

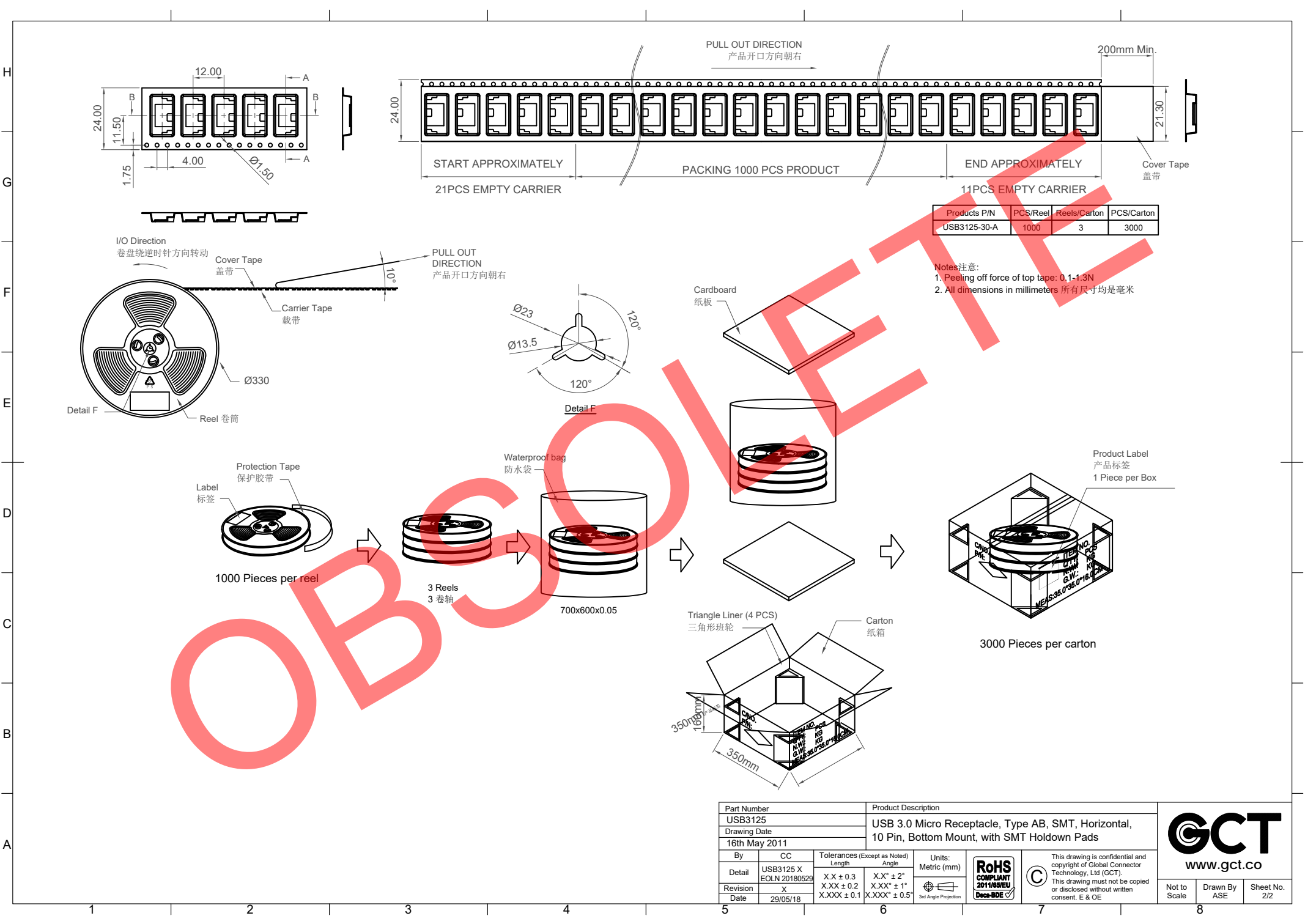
Designed to comply with physical, electrical and environmental requirements of micro USB Standard Compliance (USB3.0).



Part Number		Product Description	
USB3125		USB 3.0 Micro Receptacle, Type AB, SMT, Horizontal, 10 Pin, Bottom Mount, with SMT Holddown Pads	
Drawing Date		16th May 2011	
By	CC	Tolerances (Except as Noted)	
Detail	USB3125 X EOLN 20180529	Length	Angle
Revision	X	X.X ± 0.3	X.X° ± 2°
Date	29/05/18	X.XX ± 0.2	X.XX° ± 1°
		X.XXX ± 0.1	X.XXX° ± 0.5°
		Units:	Metric (mm)
		3rd Angle Projection	
		RoHS COMPLIANT 2011/05/EU Deca-BDE	
		This drawing is confidential and copyright of Global Connector Technology, Ltd (GCT). This drawing must not be copied or disclosed without written consent. E & OE	

**GCT**  
 www.gct.co

Not to Scale	Drawn By ASE	Sheet No. 1/2
--------------	--------------	---------------



Products P/N	PCS/Reel	Reels/Carton	PCS/Carton
USB3125-30-A	1000	3	3000

- Notes/注意:
1. Peeling off force of top tape: 0.1-1.3N
  2. All dimensions in millimeters 所有尺寸均是毫米

Part Number		Product Description	
USB3125		USB 3.0 Micro Receptacle, Type AB, SMT, Horizontal, 10 Pin, Bottom Mount, with SMT Holddown Pads	
Drawing Date		16th May 2011	
By	CC	Tolerances (Except as Noted)	Units:
Detail	USB3125 X EOLN 20180529	Length	Metric (mm)
Revision	X	Angle	3rd Angle Projection
Date	29/05/18	X.X ± 0.3	
		X.XX ± 0.2	
		X.XXX ± 0.1	

**GCT**  
www.gct.co

This drawing is confidential and copyright of Global Connector Technology, Ltd (GCT).  
This drawing must not be copied or disclosed without written consent. E & OE

Not to Scale    Drawn By ASE    Sheet No. 2/2