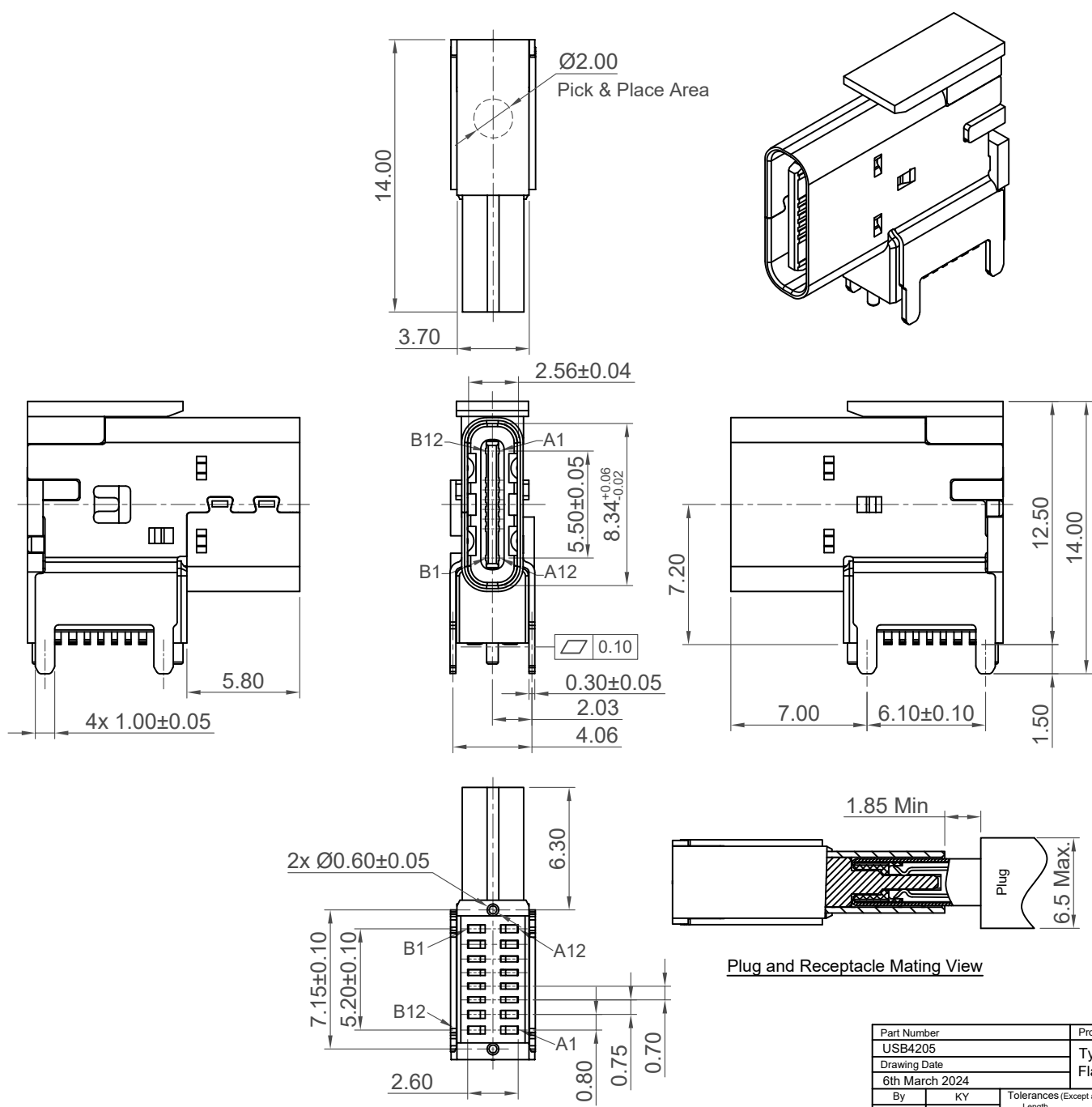


H
G
F
E
D
C
B
A



Specifications

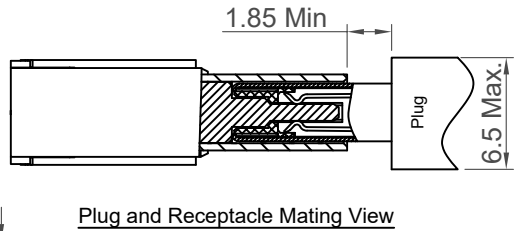
Material
 Insulator: LCP, UL 94V-0, Black
 Contact: Copper Alloy
 Shell: Stainless Steel
 Mid Plate: Stainless Steel

Plating
Contact
 Contact Area: Gold Flash
 Solder Tails: Gold Flash
 Underplating: 50µ" min. Nickel
 Shell: 80µ" min. Nickel
 Mid Plate: Clear

Electrical
 Current Rating: 5.00A collectively for Vbus pins
 6.25A collectively for GND pins
 1.25A for A5/B5 pin
 0.25A per pin for all other pins
 Voltage Rating: 48V DC
 Power Rating: 240W
 Contact Resistance: 40mΩ max initial.
 50mΩ max after test
 Dielectric Withstanding Voltage: 100V AC
 Insulation Resistance 100MΩ min

Mechanical & Environmental
 Operating Temperature: -55°C to +85°C
 Mating Force: 5 to 20 N.
 Unmated Force: 6 to 20 N after test
 Durability: 20,000 cycles

Ordering Grid
USB4205 - **GF** - **A** Request Samples and Quotation
 Contact Plating: GF = Gold Flash
 Packing Options: A = Tape & Reel (400pcs/Reel)



Part Number		Product Description	
USB4205		Type C Receptacle For USB2.0, Dual Row SMT, Flag Type, PCB Top Mount, 16 Pin	
Drawing Date		6th March 2024	
By	KY	Tolerances (Except as Noted)	Units:
Detail	Drawing Release	Length	Metric (mm)
Revision	A1	Angle	
Date	09/05/24	X.X ± 0.30	
		X.XX ± 0.15	
		X.XXX ± 0.10	



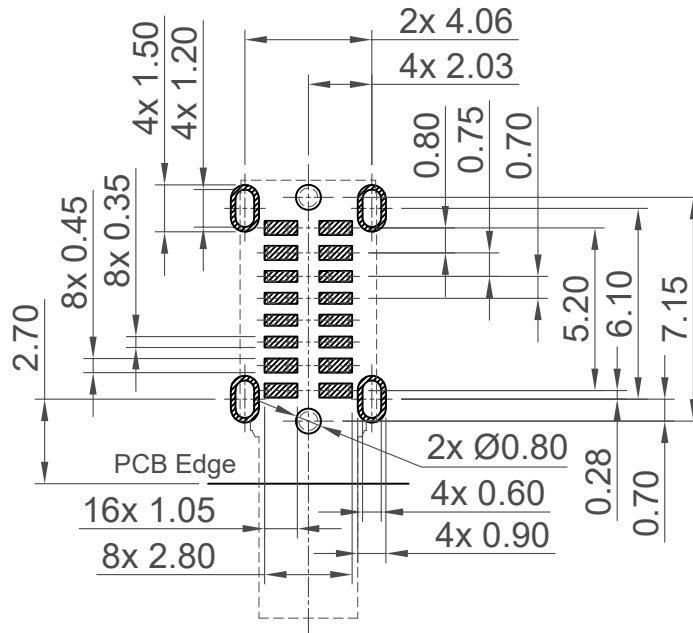
This drawing is confidential and copyright of Global Connector Technology, Ltd (GCT). This drawing must not be copied or disclosed without written consent. E & OE



H
G
F
E
D
C
B
A

B12	A1
B9	A4
B8	A5
B7	A6
B6	A7
B5	A8
B4	A9
B1	A12

Pin Assignment



Recommended PCB Layout

Thickness: 1.60mm

Tolerance: $\pm 0.05\text{mm}$

Solder Area Component Outline

Pin	Signal	Mating Sequence	Pin	Signal	Mating Sequence
A1	GND	First	B12	GND	First
A4	Vbus	First	B9	Vbus	First
A5	CC1	Second	B8	SBU2	Second
A6	Dp1	Second	B7	Dn2	Second
A7	Dn1	Second	B6	Dp2	Second
A8	SBU1	Second	B5	CC2	Second
A9	Vbus	First	B4	Vbus	First
A12	GND	First	B1	GND	First
SHELL		GND	SHELL		GND

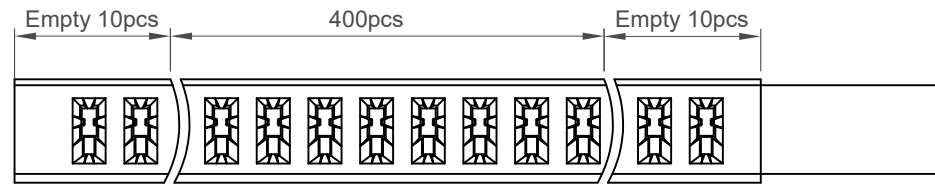
Part Number		Product Description	
USB4205		Type C Receptacle For USB2.0, Dual Row SMT, Flag Type, PCB Top Mount, 16 Pin	
Drawing Date		6th March 2024	
By	KY	Tolerances (Except as Noted)	Units:
Detail	Drawing Release	Length	Metric (mm)
Revision	A1	Angle	
Date	09/05/24	X.X ± 0.30	
		X.XX ± 0.15	
		X.XXX ± 0.10	



This drawing is confidential and copyright of Global Connector Technology, Ltd (GCT). This drawing must not be copied or disclosed without written consent. E & OE

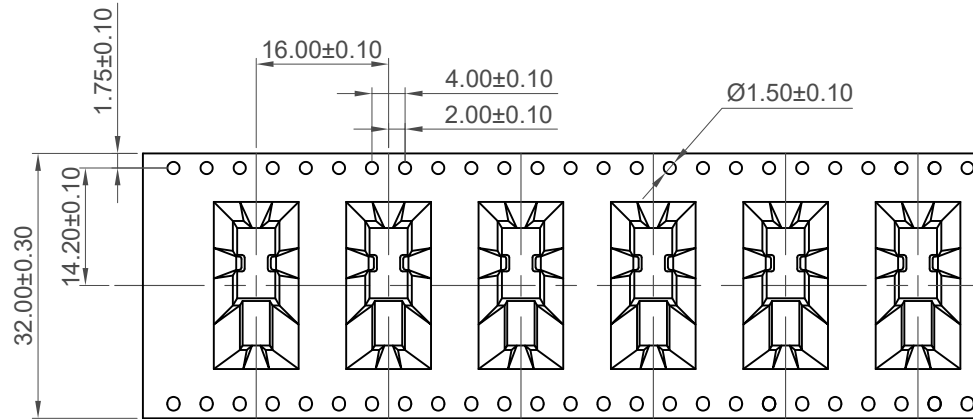
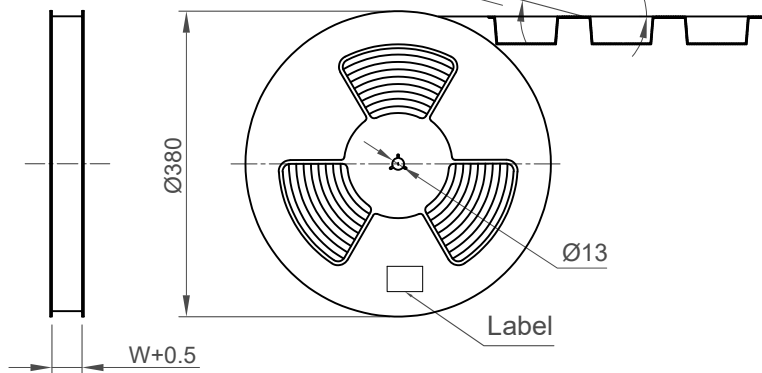


Not to Scale	Drawn By CC	Sheet No. 2/3
--------------	-------------	---------------



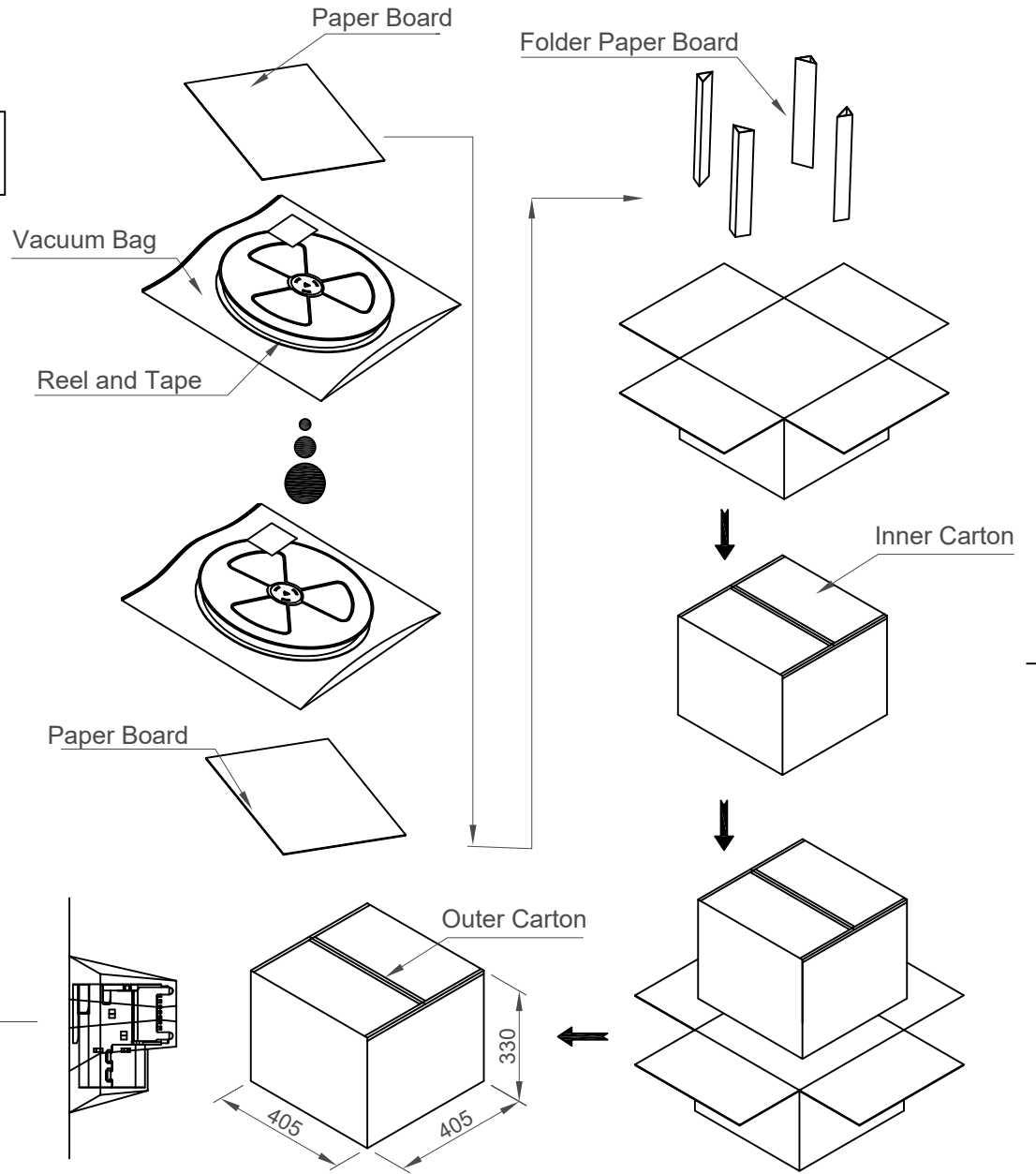
Direction of Unreeling

Peeling Angle 165°~180°



Direction of Unreeling

Pcs / Reel	Reels / Carton	Total Quantity
400	8	3200 pcs



Part Number		Product Description	
USB4205		Type C Receptacle For USB2.0, Dual Row SMT, Flag Type, PCB Top Mount, 16 Pin	
Drawing Date		6th March 2024	
By	KY	Tolerances (Except as Noted)	Units: Metric (mm)
Detail	Drawing Release	Length X.X ± 0.30	 This drawing is confidential and copyright of Global Connector Technology, Ltd (GCT). This drawing must not be copied or disclosed without written consent. E & OE
Revision	A1	Angle X.XX ± 0.15	
Date	09/05/24	X.XXX ± 0.10	



Not to Scale	Drawn By CC	Sheet No. 3/3
--------------	-------------	---------------