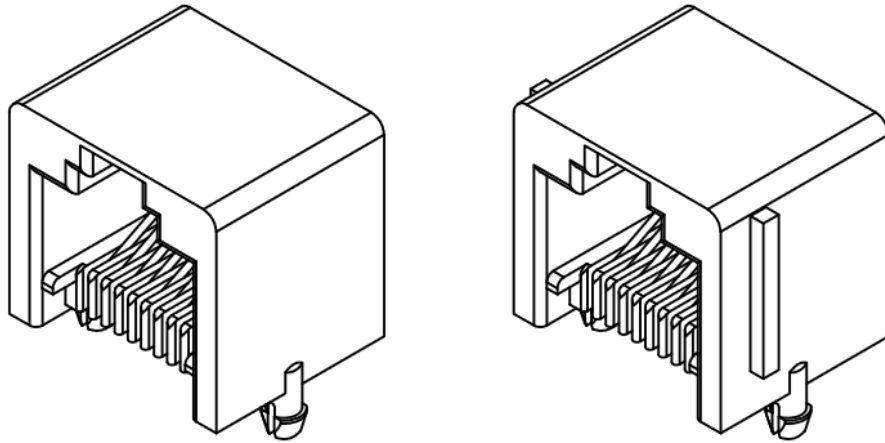


# PRODUCT SPECIFICATION

<b>Part Number</b>	MJ3420	<b>Rev</b>	A	<b>Date</b>	26/10/23		
<b>Product Description</b>	Mod Jack, 10P10C, Horizontal, Through Hole				<b>Page</b>	1	
<b>Doc Number</b>	MJ3420	<b>Prepared</b>	<b>YR</b>	<b>Checked</b>	<b>CC</b>	<b>Approved</b>	<b>PH</b>



# PRODUCT SPECIFICATION

<b>Part Number</b>	MJ3420	<b>Rev</b>	A	<b>Date</b>	26/10/23		
<b>Product Description</b>	Mod Jack, 10P10C, Horizontal, Through Hole				<b>Page</b>	2	
<b>Doc Number</b>	MJ3420	<b>Prepared</b>	<b>YR</b>	<b>Checked</b>	<b>CC</b>	<b>Approved</b>	<b>PH</b>

## 1.0 SCOPE

This specification covers performance, tests and quality requirements for the Modular Jack, 10P10C, Horizontal, Through Hole, MJ3420.

## 2.0 PRODUCT NAME AND PART NUMBER

Modular Jack Connector – MJ3420-11-X-2

## 3.0 PRODUCT SHAPE, DIMENSIONS AND MATERIAL

Please refer to drawing.

## 4.0 RATINGS

Current rating .....	1.5 A
Voltage rating .....	125 V AC
Storage Temperature.....	-10°C to +40°C
Operating Temperature Range .....	-40°C to +85°C

## 5.0 TEST AND MEASUREMENT CONDITIONS

Product is designed to meet electrical, mechanical and environmental performance requirements specified in Paragraph 6.0. All tests are performed under the following conditions unless otherwise specified.

# PRODUCT SPECIFICATION

<b>Part Number</b>	MJ3420	<b>Rev</b>	A	<b>Date</b>	26/10/23		
<b>Product Description</b>	Mod Jack, 10P10C, Horizontal, Through Hole				<b>Page</b>	3	
<b>Doc Number</b>	MJ3420	<b>Prepared</b>	<b>YR</b>	<b>Checked</b>	<b>CC</b>	<b>Approved</b>	<b>PH</b>

## 6.0 PERFORMANCE

Item	Test Condition	Requirement
Examination of Product	Visual, dimensional and functional inspection as per quality plan.	Product shall meet requirements of product drawing and specification.

### 6.1 Electrical Performance

Item	Test Condition	Requirement
Contact Resistance	Measure the resistance between input and output and in accordance with EIA-364-23	35 mΩ Max.
Insulation Resistance	Apply 500vdc between adjacent terminals and in accordance with EIA-364-21	1000 MΩ Min.
Dielectric Strength	Apply 1000VAC for 1 minute between adjacent terminals and in accordance with EIA-364-20	No breakdown

### 6.2 Mechanical Performance

Item	Test Condition	Requirement
Durability	750 Cycles in accordance with EIA-364-09	No damage $\Delta R \leq 10m\Omega$
Solderability Test	Soldering Time: 4-5 seconds at a solder temperature of $245 \pm 5^\circ C$ and in accordance with EIA-364-52	95% minimum Solder Area
Resistance to Soldering Heat Test	Soldering Time: 4-5 seconds at a Temperature of $360 \pm 10^\circ C$ and in accordance with EIA-364-56	No damage
Vibration Test	1.5mm, 10+55-10Hz per minute, 2hours for each X.Y and Z directions and in accordance with EIA-364-28	Discontinuity 1μ s Max.
Mechanical Shock	The testing duration is 3 Times per axis which include x. y. z axis. The condition of shock strength is 50g and the continuity time of pulse is 11ms.	Discontinuity 1μ s Max.

# PRODUCT SPECIFICATION

<b>Part Number</b>	MJ3420	<b>Rev</b>	A	<b>Date</b>	26/10/23		
<b>Product Description</b>	Mod Jack, 10P10C, Horizontal, Through Hole				<b>Page</b>	4	
<b>Doc Number</b>	MJ3420	<b>Prepared</b>	<b>YR</b>	<b>Checked</b>	<b>CC</b>	<b>Approved</b>	<b>PH</b>

Item	Test Condition	Requirement
Mating/Unmating Force	Insertion speed at 25 ±3mm per minute and in accordance with EIA-364-13	30N Max.
Plug to Jack Retention	Plug shall not dislodge from Jack In accordance with EIA-364-35	50N Min.

## 6.3 Environmental Performance and Others

Item	Test Condition	Requirement
Low temperature	-40 ±2°C, 96 hours In accordance with EIA-364-59	No damage, ΔR≤10mΩ
Temperature life	+85 ±2°C, 96 hours In accordance with EIA-364-17	No damage, ΔR≤10mΩ
Humidity	+40 ±2°C, 90~95% RH, 96 hours In accordance with EIA-364-31	No damage, ΔR≤10mΩ
Salt Spray	+35 ±2°C consistency 5 ±1%, 48 hours In accordance with EIA-364-26	No corrosion, ΔR≤10mΩ

# PRODUCT SPECIFICATION

<b>Part Number</b>	MJ3420	<b>Rev</b>	A	<b>Date</b>	26/10/23
<b>Product Description</b>	Mod Jack, 10P10C, Horizontal, Through Hole			<b>Page</b>	5
<b>Doc Number</b>	MJ3420	<b>Prepared</b>	<b>YR</b>	<b>Checked</b>	<b>CC</b>
		<b>Approved</b>	<b>PH</b>		

## 7.0 TEST GROUP AND SEQUENCE

Item	Description	Test Group								
		A	B	C	D	E	F	G	H	I
		Test Sequence								
1	Examination or product	1, 7	1, 9	1, 4	1, 3	1, 5	1, 5	1, 5	1,3	1,3
2	Contact resistance	2, 6	2, 6			2, 4	2, 4	2, 4		
3	Insulation resistance		3, 7							
4	Dielectric strength		4, 8							
5	Solderability								2	
6	Resistance to soldering Heat Test									2
7	Vibration			2						
8	Mechanical Shock			3						
9	Durability	4								
10	Mating / Unmating force	3, 5								
11	Plug to Jack retention				2					
12	Low temperature					3				
13	Temperature life						3			
14	Humidity		5							
15	Salt spray							3		
	Sample Size (pcs)	3	3	3	3	3	3	3	3	3

### Revision details:

Revision	Information	Page	Release Date
0.1	First draft	-	19/09/2023
0.2	-update mechanical shock test condition - Adjust test sequence	3&5	08/10/2023
A	First Release		26/10/2023